

The Classic

JRSF

Backflush Protective Filter

The JUDO JRSF series backflush protective filters from 1" to 8" are screen filters for drinking water systems. Their robust design makes them suitable for special requirements.



The advantages

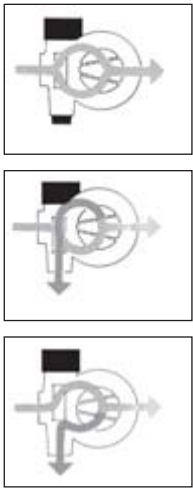
- ◆ Very robust design
- ◆ No cartridges to replace
- ◆ Stainless steel filter sieve
- ◆ Degree of soiling is clearly visible
- ◆ Manual or automatic backwashing/cleaning of the filter
- ◆ Water supply even while the filter is being cleaned
- ◆ Also available as a hot water filter (max. 85° C)
- ◆ Made in Germany





The problem

Sand, rust and dirt particles damage and block sanitary installations such as water pipes, fittings, boilers, showers, etc. This leads to corrosion, pipe bursts and expensive repairs. The solution: JRSF from JUDO – a compact backflush filter. The high-quality Rilsan coated cast iron housing and the robust design justify its worldwide reputation as a resilient problem solver.



Function



JRSF automatic (JRSF-A/TP, DN 125 – 200)

Universal use

Private households, apartments, hotels, catering outlets, industry, office buildings, holiday apartments, holiday homes, agriculture, protects technical systems and equipment, etc.

We stock JUDO equipment:

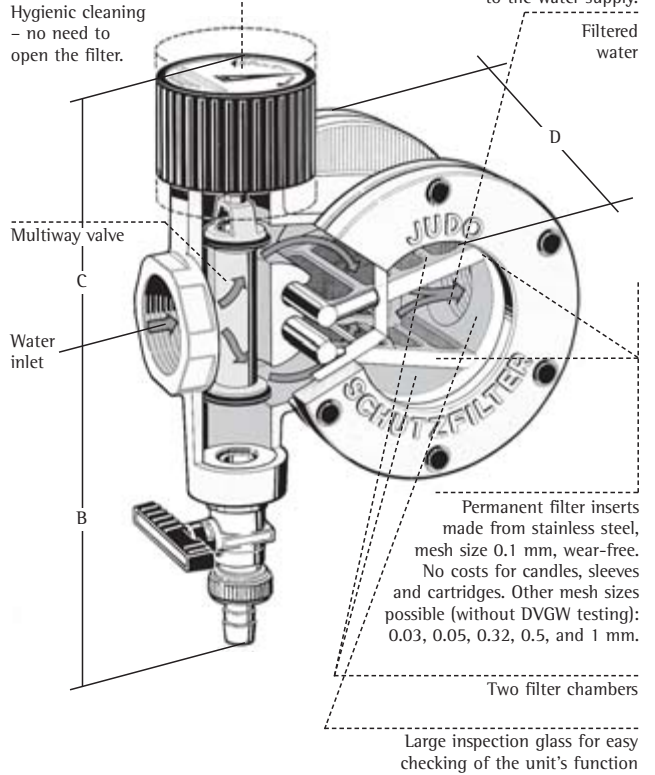
JRSF

Easy to install. Horizontal and vertical installation possible.

Split-second backwashing in no time with no interruption to the water supply.

Hygienic cleaning – no need to open the filter.

Filtered water



Permanent filter inserts made from stainless steel, mesh size 0.1 mm, wear-free. No costs for candles, sleeves and cartridges. Other mesh sizes possible (without DVGW testing): 0.03, 0.05, 0.32, 0.5, and 1 mm.

Two filter chambers

Large inspection glass for easy checking of the unit's function

Technical specifications (manual version)

Pipe connection	Water flow rate up to m ³ /h	Installed length mm/inch	Dimensions in mm/inch		
			B	C	D
1"	5/ 22	189/ 7	095/ 4	115/ 5	115/ 4 1/2
1 1/4"	6/ 26	189/ 7	095/ 4	115/ 5	115/ 4 1/2
1 1/2"	14/ 66	233/ 9	130/ 5	155/ 6	135/ 5
2"	15/ 70	233/ 9	130/ 5	155/ 6	135/ 5
DN 65/2 1/2"	33/145	370/15	245/10	210/ 8	225/ 9
DN 80/3"	38/167	370/15	245/10	210/ 8	225/ 9
DN 100/4"	58/255	414/16	300/12	230/ 9	225/ 9
DN 125/5"	75/330	440/17	225/ 9	250/10	425/17
DN 150/6"	110/484	500/20	430/17	290/11	475/19
DN 200/8"	170/748	620/24	540/21	350/14	620/24

We reserve the right to make technical changes.

1930456 · Po · Gr



JUDO Wasseraufbereitung GmbH
 Postfach 380 · D-71351 Winnenden
 Tel. +49 (0) 71 95/6 92-0
 Fax +49 (0) 71 95/6 92-177
 e-mail: iwt@judo-online.de
 www.judo-online.de