

For domestic and commercial use

JUNIOR

Backflush Protective Filter

The JUDO JUNIOR protective filter is a washable screen filter for drinking water systems. It protects water pipes, fittings and appliances around the clock.

The advantages

- ◆ No cartridges to replace
- ◆ Stainless steel filter cloth
- ◆ Water supply even while the filter is being cleaned
- ◆ Degree of soiling is clearly visible
- ◆ Horizontal and vertical installation
- ◆ Patented – made in Germany





The problem

Sand, rust and dirt particles damage and block sanitary installations such as water pipes, fittings, boilers, showers, etc. This leads to corrosion, pipe bursts and expensive repairs.

The solution: JUNIOR from JUDO.

Universal use

Private households, catering outlets, apartments, flats, holiday homes, holiday flats, to protect technical systems and equipment.

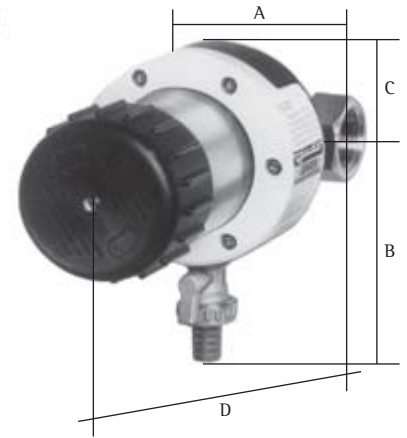
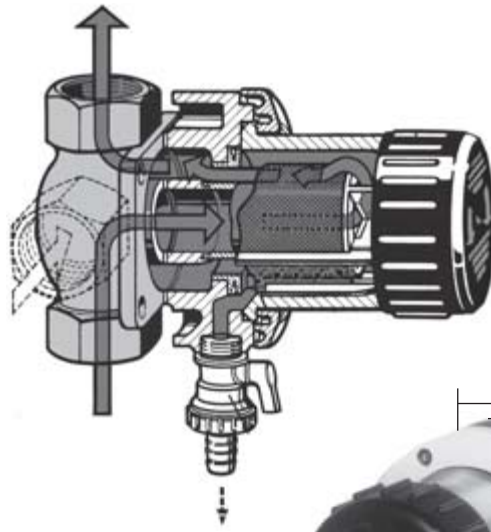
Fast installation

With the JUDO Quickset-E your fitter can carry out the installation fast and cleanly.



JUDO Quickset-E

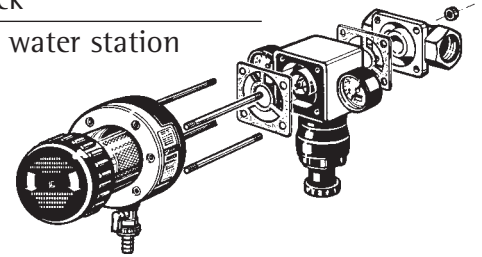
We stock JUDO equipment:



Technical specifications

Pipe connection inch	3/4"	1"	1 1/4"
Water flow rate up to m ³ /h	3.3	4.5	5.2
Nominal pressure PN	16	16	16
Pressure loss after backwashing bar	0.2	0.2	0.2
Mess size mm	0.1	0.1	0.1
Max. inlet water temperature °C	30	30	30
Installed length mm A	90	90	110
Width mm	170	170	180
Height mm B	130	130	130
Height mm C	55	55	55
Depth mm D	170	170	180
Order No.	8070012	8106150	8106151

JUNIOR reverse-flow protective filter
+ protection block
= JUNIOR house water station



JUDO Wasseraufbereitung GmbH
Postfach 380 · D-71351 Winnenden
Tel. +49 (0) 71 95/6 92-0
Fax +49 (0) 71 95/6 92-110
e-mail: export@judo-online.de
www.judo-online.de