

WATER FILTERS

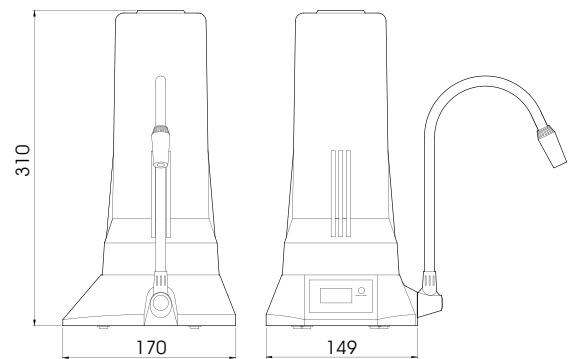


DigiPure 9000S

Digital Water filter

The DigiPure 9000S is an evolutionary water filtration system, which uses the advanced filter to efficiently removes most harmful contaminants in water. A LCD display filter monitor on the filter system exactly monitors the filter life. It generates an audible alert to notice users to replace the filter when the filter reaches its end of life. The smart feature of the monitor keeps users from drinking unsafe water.

The removal capability and electrical safety had been tested and certified by the independent laboratories, like SGS and CE.



Advanced 3-stage filter

The advanced filter removes most harmful contaminants in water :

Stage 1: The sediment wrap traps particulates, such as dirt and rust.

Stage 2: The carbon block filter removes chlorine, chlorination by-products, and agricultural and industrial pollutants.

Stage 3: The KDF media removes heavy metals, such as lead and mercury, and inhibit bacterial growth in water.



The advantages the DigiPure 9000S brings to you

- DigiPure 9000S is a fraction of the cost of bottled water
- DigiPure 9000S filters are fast, easy, and convenient - accessible right at your kitchen counter.
- The water you need for hydration that's essential for health and longevity. Research shows that our bodies require a minimum of 8-10 glasses of water daily to regulate body temperature and to remove excess toxins accumulated during daily life.
- Makes great tasting coffee and tea, as well as cold drinks from juice concentrates and powdered mixes.
- Makes better quality water for mixing infant formula.
- Provides high quality water for women during pregnancy.
- Great for dogs and cats, which can be sensitive to odors and the taste of chlorine in tap water.



Precise digital filter life monitor with LCD display

The LCD display monitor of the DigiPure 9000S uses an advanced digital control circuit and a precise flow sensor to precisely monitor how much water has been used and displays the remaining volume capacity of the filter. The big size LCD automatically displays the remaining volume capacity of the filter when you use the filter. So you know exactly about the filter life. An audible alert is generated when the volume capacity of the filter reaches its end.

The DigiPure 9000S is operated by two AAA alkaline batteries which power lasts more than one year. The last status data will be automatically memorized when the battery power is off.



Easy connection with most of faucets in Kitchen

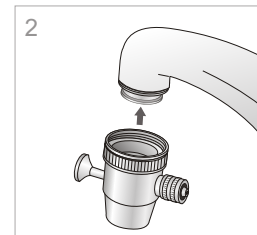
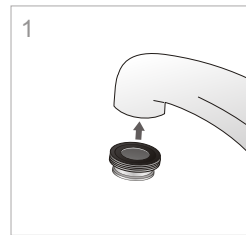
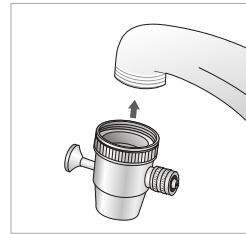
The DigiPure 9000S is easy to install on most of the kitchen counters in minutes without tools. The universal diverter valve and adapter fit most faucets.

1. Attach the diverter valve to your faucet

Unscrew and remove the mounting collar and plastic adapter from the faucet system. Check the threads of the faucet. If the threads are outside of the faucet.

2. Attach the adapter and diverter valve to your faucet

Unscrew and remove the mounting collar and plastic adapter from the faucet system. Check the threads of the faucet. If the threads are inside of the faucet, twist the adapter counterclockwise onto your faucet and tighten by hand until snug. If it is difficult to twist or tighten the adapter, insert a coin into the notch at the bottom of the adapter and twist until snug. Next, twist the diverter valve counterclockwise onto your faucet and tighten by hand until snug.



Comparison of most popular filters / purifiers

	RO Water Purifier	Carbon Water Filter	DigiPure 9000S
Chlorine, odor, pesticide and chemical removal	●	●	●
Heavy metal removal	●	○	●
Bacteria growth inhabitation	○	○	●
Water quality monitoring	○	○	●
Mineral left in water	○	○	●
Space needed	○	●	●
Water wasting	○	●	●
Easy Installation	○	●	●

● = Good ● = Fair ○ = Bad

